

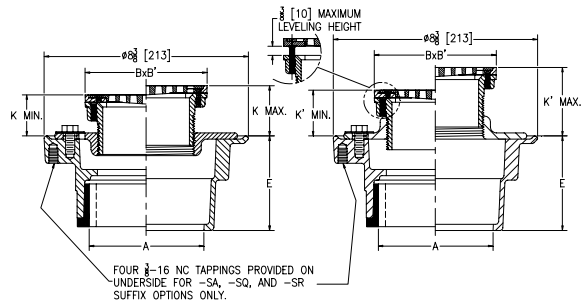
⌚ Z415 BODY ASSEMBLY WITH "TYPE SZ" LEVELING STRAINER



Patented

ENGINEERING SPECIFICATION

Zurn ZN415SZ Floor and shower drain features Dura-Coated cast iron body with bottom outlet, combination invertible membrane clamp, and adjustable collar with seepage slots and "TYPE SZ" polished nickel bronze, light-duty, square leveling strainer.



Strainer Designation	Dimensions in inches [mm]						Str. Open Area sq in [cm ²]	Approximate Weight lb [kg]
	A Pipe Size	B x B' Strainer Top Size	K		K'			
			Min.	Max.	Min.	Max.		
-5SZ	2 [51], 3 [76]	5 x 5 [127]	1-11/16 [43]	2-1/16 [52]	1-13/16 [46]	2-13/16 [71]	8 [52]	11 [5]
-6SZ	2 [51], 3 [76], 4 [102]	6 x 6 [152]					13 [84]	13 [6]

PREFIXES	DESCRIPTION	STRAINER DESIG.	PIPE SIZE	LIST PRICE
ZN415*	D.C.C.I. Body Assembly with Polished Nickel Bronze Top	-5SZ	2", 3"	645.00
		-6SZ	2", 3", 4"	719.00
ZB415	D.C.C.I. Body Assembly with Polished Bronze Top	-5SZ	2", 3"	592.00
		-6SZ	2", 3", 4"	680.00
ZS415	D.C.C.I. Body Assembly with Polished Type 304 (CF8) Stainless Steel Top	-5SZ	2", 3"	POA
		-6SZ	2", 3", 4"	POA
OUTLETS (SPECIFY PIPE SIZE IN INCHES AND TYPE OF OUTLET)				
OUTLET TYPE		PIPE SIZE/ OUTLET TYPE	E BODY HT. DIM.	ADD
IC	Inside Caulk	2IC, 3IC, 4IC	4-13/16"	N/C
IG	Inside Gasket	2IG, 3IG, 4IG	4-13/16"	N/C
IP	Threaded	2IP	2-7/16"	80.00
		3IP	2-3/4"	80.00
		4IP	2-13/16"	80.00
NH	No-Hub	2NH, 3NH, 4NH	3-13/16"	N/C
NL	Neo-Loc	2NL, 3NL, 4NL	3-7/8"	N/C

SUFFIXES	ADD
-AA	All Acid Resisting Epoxy 261.00
-AR	Acid Resisting Epoxy Coated Cast Iron 171.00
-CP	Chrome-Plated Bronze Top 26.00
-DP	Decorative Polished Top 171.00
-G	Galvanized Cast Iron 198.00
-P	Trap Primer Connection (1/2") N/C
⌚ -PC	Protective Cover 64.00
⌚ -SA	Stabilizer Assembly (See Z1035) 138.00
⌚ -SQ	Stabilizer Q-deck (See Z1035-Q) 184.00
⌚ -SR	Stabilizer Ring (See Z400-SR) 121.00
⌚ -TC	Neo-Loc Test Cap Gasket (2", 3", 4" NL Bottom Outlet Only) 24.00
-U	1"-3" High Extension Adapter (See Z400-U) D.C. 140.00
	Galv. 306.00
	For each additional 1" above 3" 98.00
-V	Backwater Valve (Not Available with -Y) 380.00
-VP	Vandal-Proof Secured Top 58.00
-Y	Sediment Bucket (Not Available with -V) 109.00
-90	90° Threaded Side Outlet Body Assembly (2" and 3" Only) 219.00
BEST SELLERS LIST PRICE	
ZN415-3NH-6SZ	719.00
ZN415-3NL-6SZ-P	719.00

Supplied By:



877-903-7246

www.commercialplumbingsupply.com